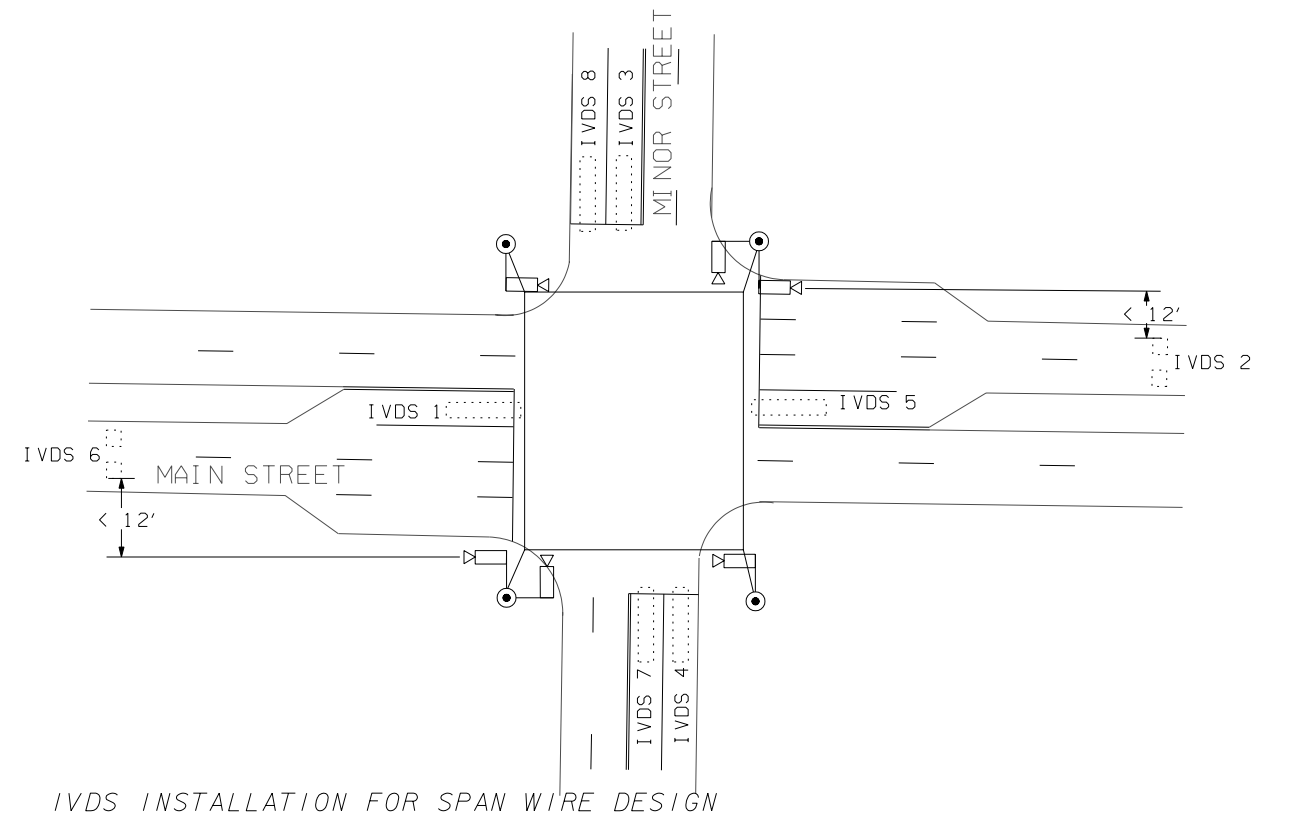
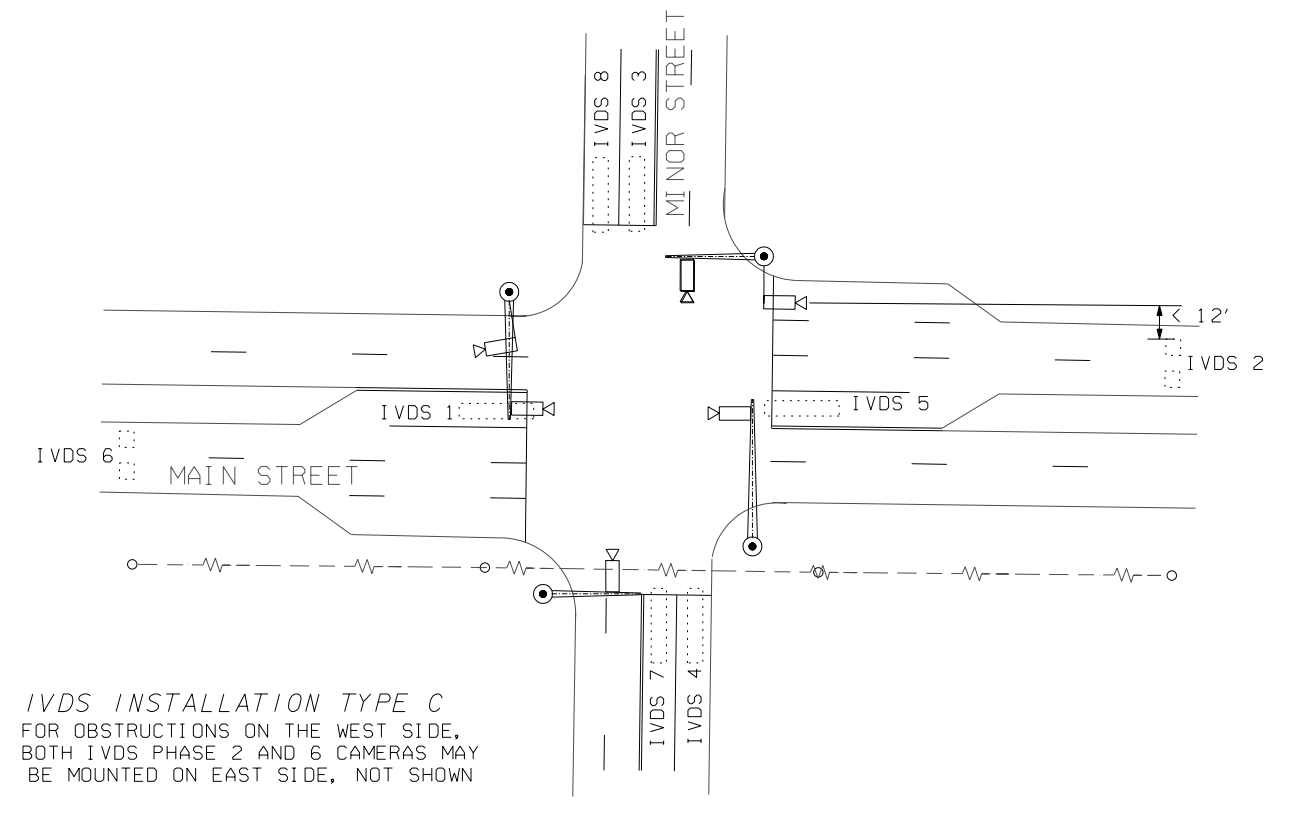
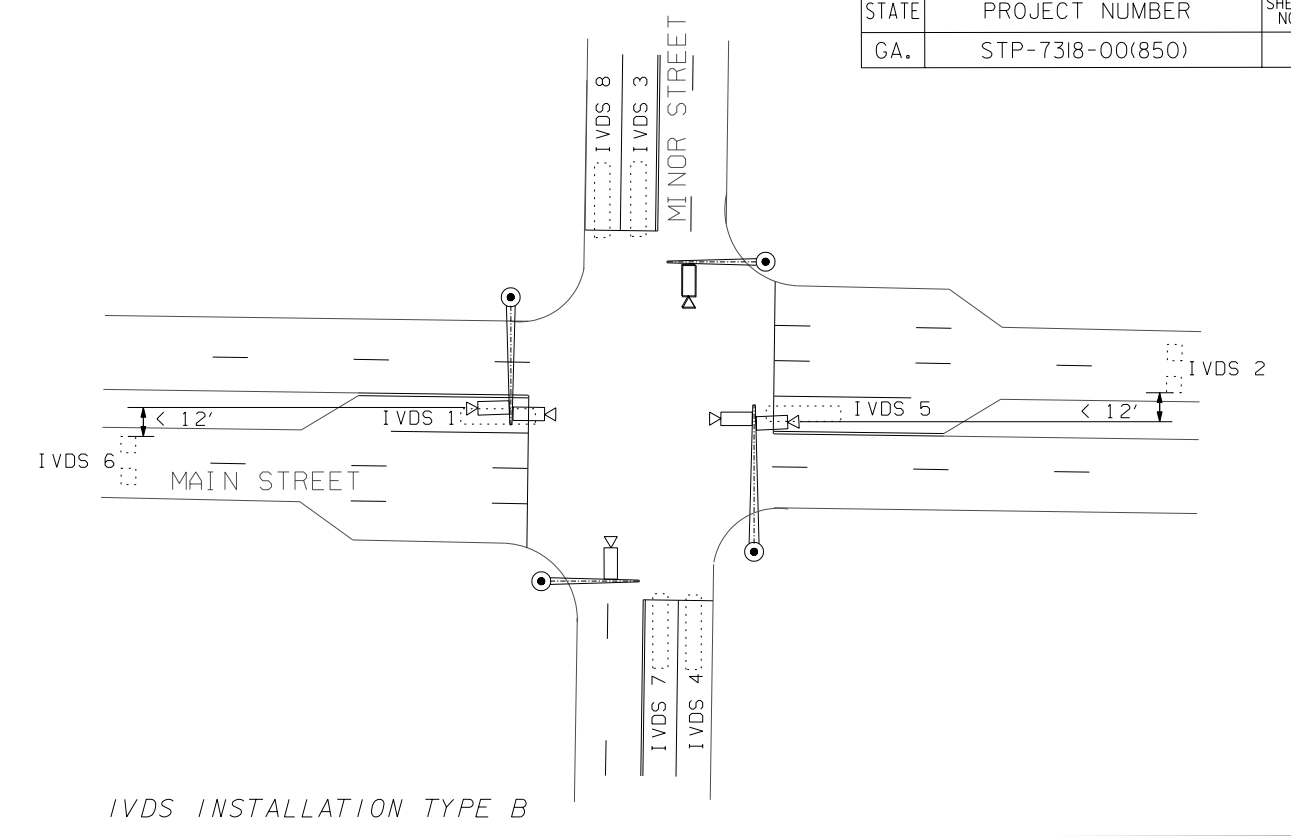
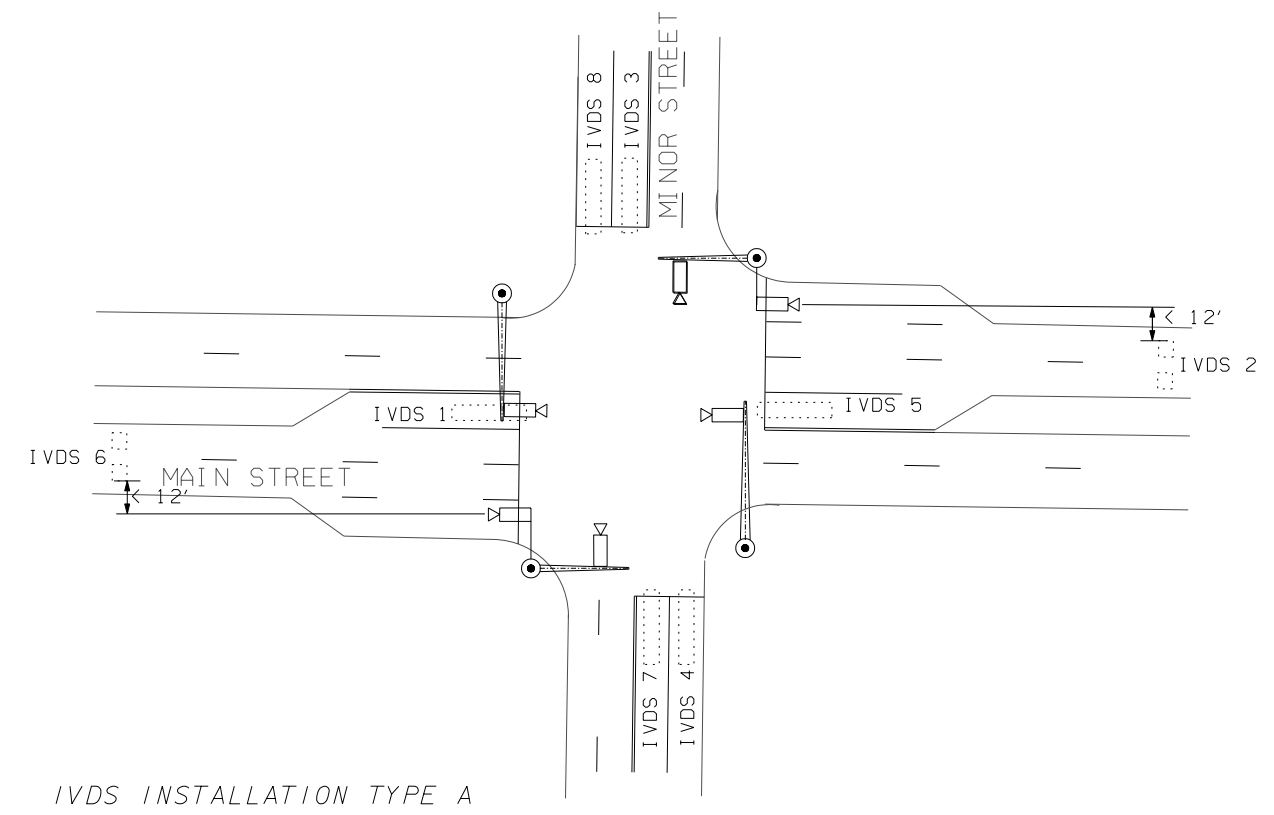


STATE	PROJECT NUMBER	SHEET NO.	TOTAL SHEETS
GA.	STP-7318-00(850)		



NOT TO SCALE

DATE	REVISIONS	DATE	REVISIONS

CLAYTON COUNTY SPOST  
IVDS TYPICAL INSTALLATIONS  
PROJECT - STP-7318-00(850)  
DATE SHEET

\$FILE\$  
\$DATE\$